

# ROYSON ENGINEERING COMPANY

CTV-IS BOWL TYPE VIBRATORY FINISHER WITH RISING CHANNEL  
 130 N. PENN ST. HATBORO, PA. 19040 PHONE#215-675-2800 FAX#215-675-3035  
 BULLETIN #338

## 15-CTV-IS

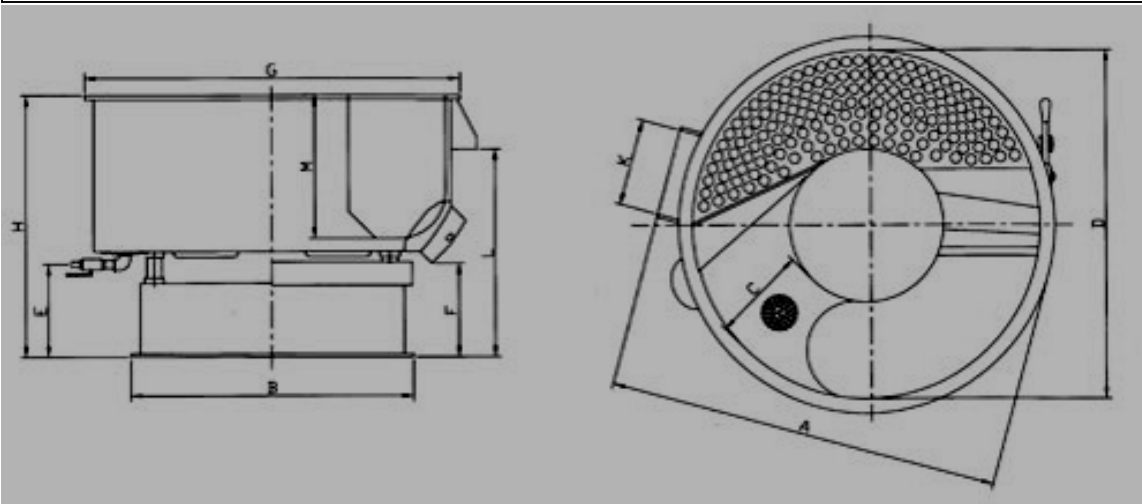


**PNEUMATIC RAMP**

**SOUND HOOD**

**RAMP & SCREEN**

**CONSOLE & PUMP**



DIM. IN.	A	B	C	D	E	F	G	H	K	L	M	WEIGHT
15-CTV-IS	63	45	15.7	55.1	12	13.7	61	46	12	37	19	2425 LB.

**FEATURES:**

- CONTROL PANEL WITH VARIABLE SPEED, DOSING PUMP, 208/240/460/3/60 VOLT
- 5.3 HP, MEDIA UNLOAD DOOR, PNEUMATIC UNLOAD RAMP, SOUND HOOD

CopyrightRoyson 2010