

ROYSON ENGINEERING COMPANY

20-CTV FLAT BOTTOM BOWL VIBRATORY FINISHER NO SEPARATION
 130 N. PENN ST. HATBORO, PA. 19040 PH# 215-675-2800 FAX#215-675-3035
 BULLETIN #445



20-CTV



CONSOLE

UNLOAD DOOR

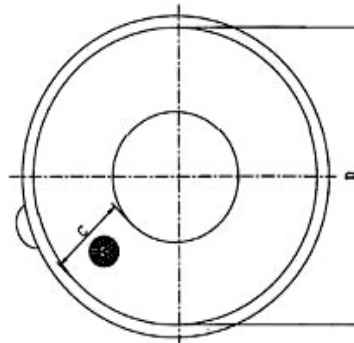
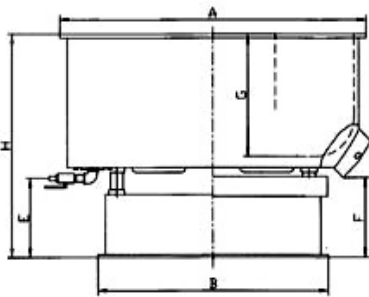
DRAIN

SOUND HOOD



FEATURES:

- CONTROL PANEL VARIABLE SPEED
- 7.3 HP, 208/240/460/3/60
- MEDIA UNLOAD DOOR
- POP OUT REMOVABLE DRAIN
- URETHANE TUB LINER
- COMPOND PUMP
- PNEUMATIC SOUND HOOD



DIMENSIONS

INCHES	A	B	C	D	E	F	G	H	WEIGHT
20-CTV	68.5	54	17.5	63	12	12	29.5	45.2	2800LB.

COPYRIGHT ROYSON 2010