

ROYSON ENGINEERING COMPANY

CTV-IS BOWL TYPE VIBRATORY FINISHER WITH RISING CHANNEL
 130 N. PENN ST. HATBORO, PA. 19040 PHONE#215-675-2800 FAX#215-675-3035
 BULLETIN #335

3-CTV-IS

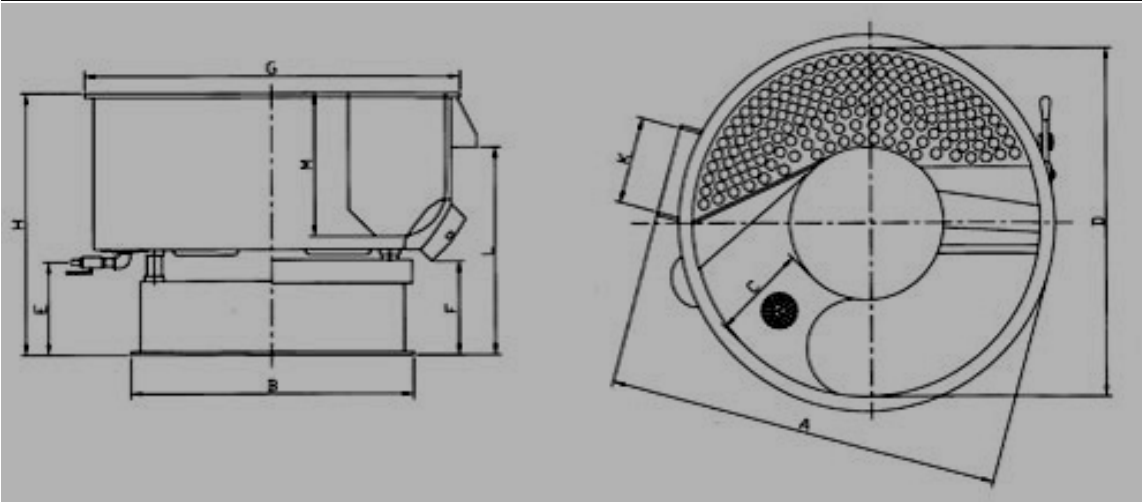


PNEUMATIC RAMP

SOUND HOOD

RAMP & SCREEN

CONSOLE & PUMP



DIM. IN.	A	B	C	D	E	F	G	H	K	L	M	WEIGHT
3-CTV-IS	41	30	8.6	33	12	13.7	38	35	10	25	14	800 LB.

FEATURES:

- CONTROL PANEL WITH VARIABLE SPEED, DOSING PUMP, 208/240/460/3/60 VOLT
- 1.4 HP, MEDIA UNLOAD DOOR, PNEUMATIC UNLOAD RAMP, SOUND HOOD

CopyrightRoyson 2010