

ROYSON ENGINEERING COMPANY

60-CTV FLAT BOTTOM BOWL VIBRATORY FINISHER NO SEPARATION
 130 N. PENN ST. HATBORO, PA. 19040 PH# 215-675-2800 FAX#215-675-3035

BULLETIN #448



60-CTV



CONSOLE

UNLOAD DOOR

DRAIN

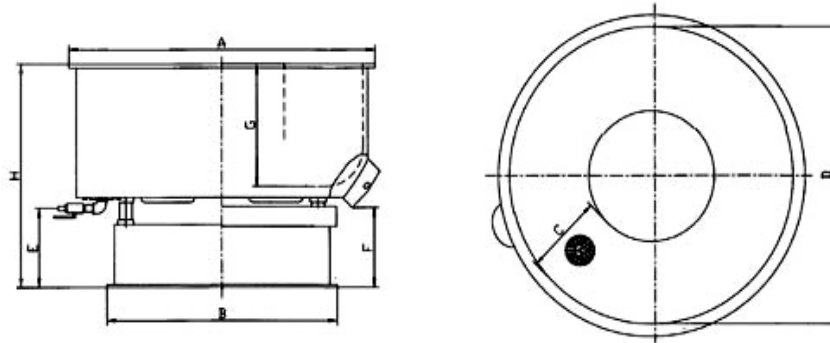
SOUND HOOD



FEATURES:

- CONTROL PANEL VARIABLE SPEED
- 20 HP, 208/240/460/3/60
- MEDIA UNLOAD DOOR
- POP OUT REMOVABLE DRAIN
- URETHANE TUB LINER
- COMPOUND PUMP

OPTIONAL
 AIR OPERATED
 SOUND HOOD



DIMENSIONS

INCHES	A	B	C	D	E	F	G	H	WEIGHT
60-CTV	96.6	71	29.5	90.5	12	12	30.7	55.1	7050LB.

COPYRIGHT ROYSON 2010