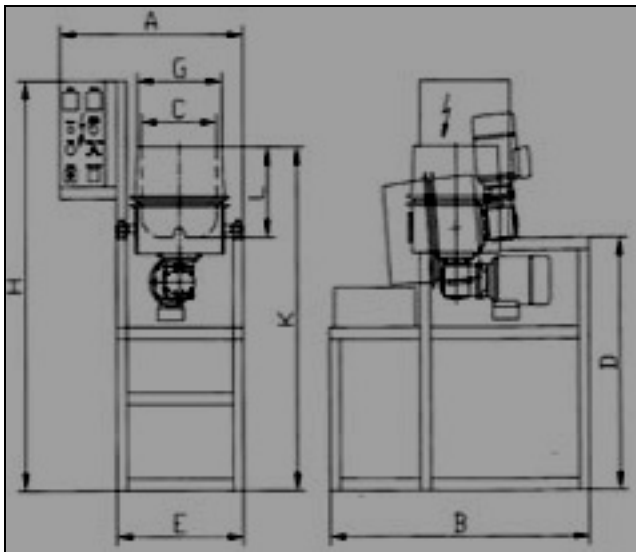


ROYSON ENGINEERING COMPANY
CDF CENTRIFUGAL DISC FINISHING MACHINES
 130 N. PENN ST. HATBORO, PA. 19040 TEL#215-675-2800 FAX#215-675-3035
BULLETIN # 836



WET (W) & DRY (D) UNITS SYSTEM

DIMENSIONS



DIM IN.	A	B	C	D	E	G	H	K	L
CDF-20	31.8	45	13.3	37.4	22	14.6	61	51	10.6

CDF-20W
CDF-20D

FEATURES

- HOT POUR POLYURETHANE COATED WORK CHAMBER & DISC
- 208/240/480/3/60 V, 2 HP
- CONTROL CONSOLE INCLUDES MACHINE START/STOP & E-STOP, SPEED CONTROLLER, CYCLE TIMER.
- COMPOUND DOSING PUMP WITH ON-OFF SWITCH (W MODELS)
- MANUAL SCREEN WITH STAND FOR SEPARATING PARTS AND MEDIA
- .3 CU/FT WORKING CAPACITY.
- MACHINE WEIGHT 400 LBS.
- DISC SPEED 0-400 RPM
- WET & DRY MODELS AVAILABLE