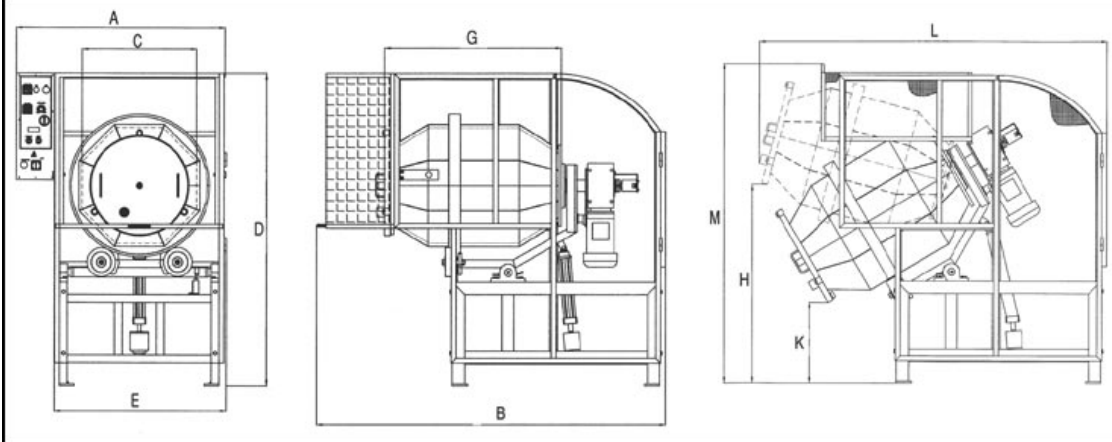


ROYSON ENGINEERING COMPANY
OCTAGONAL TILTING BARREL TUMBLING MACHINE
 100 N. PENN ST. HATBORO, PA. 19040 TEL#215-675-2800 FAX#215-675-3035
BULLETIN #465



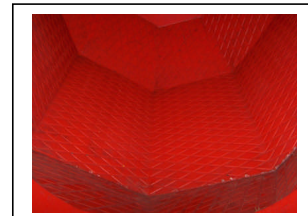
**T
B
2
2
0**



DIM. IN	A	B	C	D	E	G	H	K	L	M	WEIGHT	VOLUME
TB-220	43	76	23	64	35	36	36	22	73	67	1050 LBS	3 CU/FT

FEATURES;

- 2 HP, 208/240/460 3 PHASE, CONTROL CONSOLE WITH TIMER
- HEAVY DUTY GEAR REDUCER
- ELECTRONIC VARIABLE SPEED, 0-35 RPM
- DIGITAL BARREL SPEED DISPLAY
- AUTOMATIC TILTING FOR PROCESSING AND DUMPING
- ABRASION RESISTANT POLYURETHANE LINED BARREL
- FULLY GUARDED WITH MOVABLE FRONT GUARD
- OPTIONAL LID FOR CONTINUAL WATER FEED & DISCHARGE



COPYRIGHT ROYSON 2006